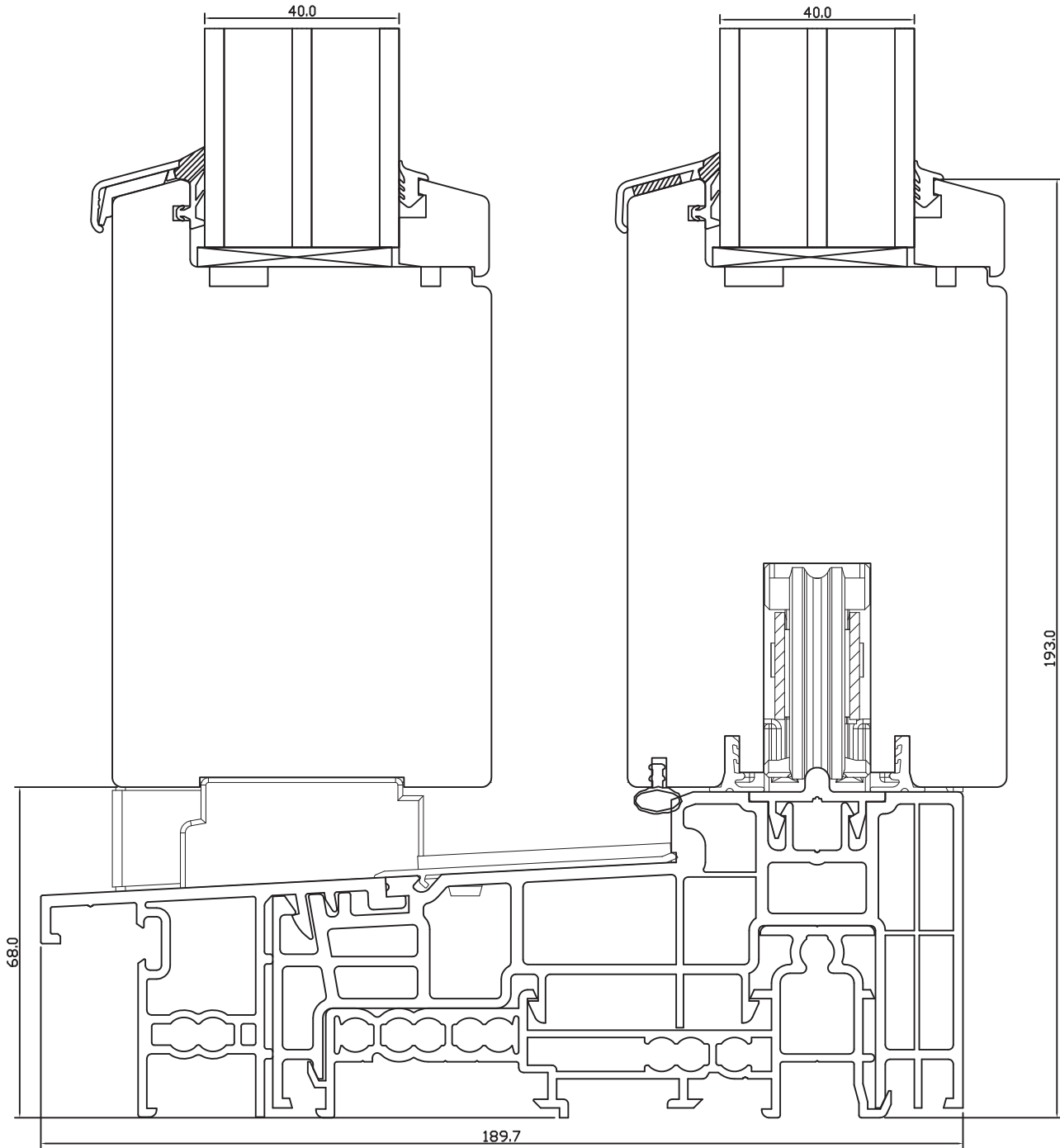
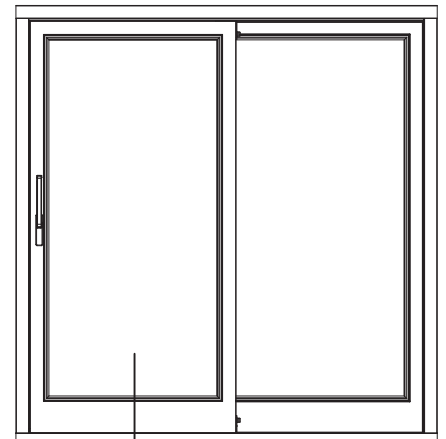
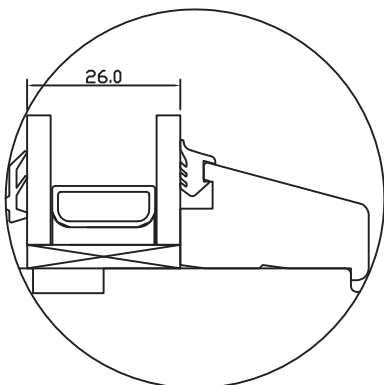


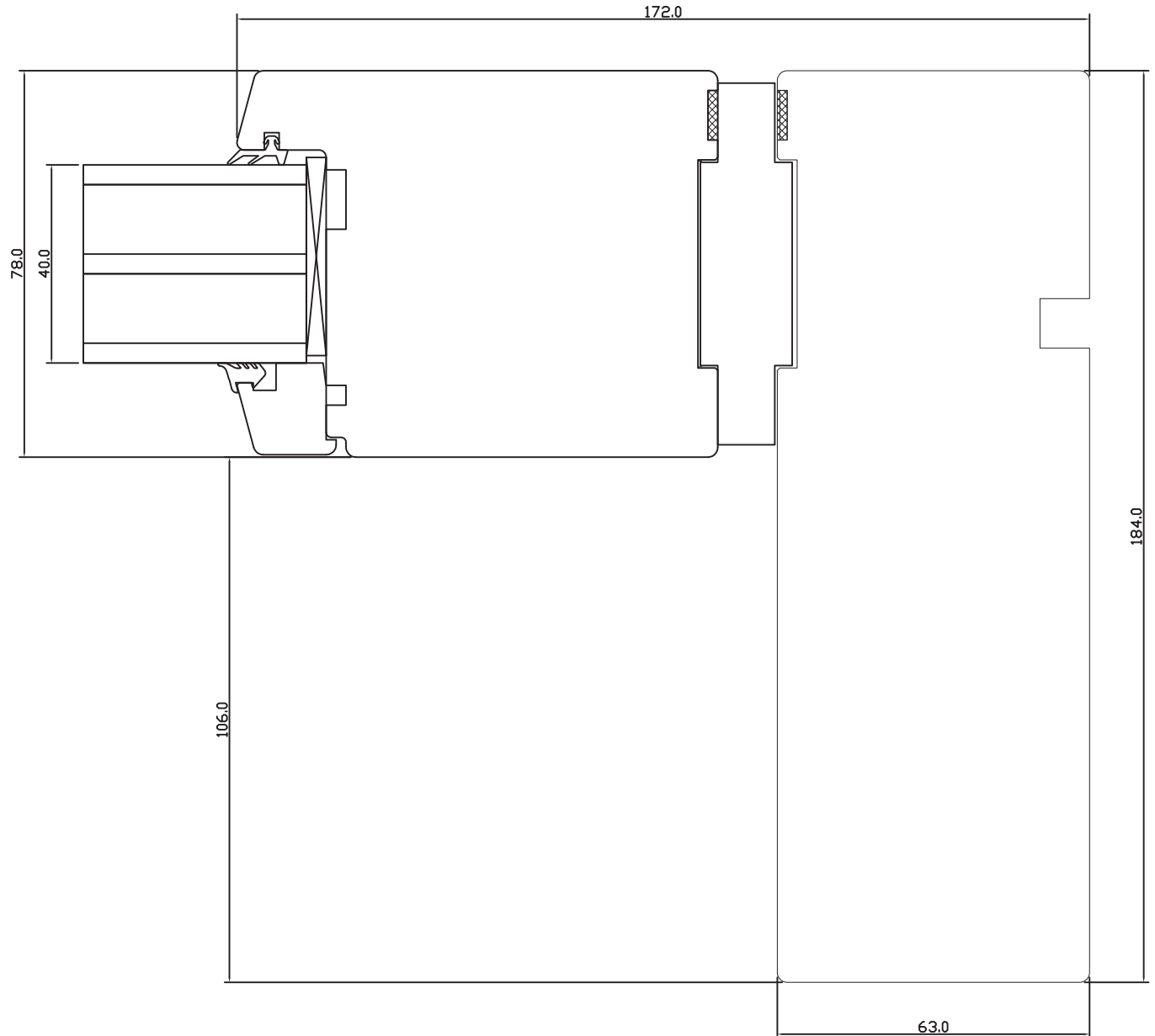
**CROSS SECTION OF THRESHOLD**



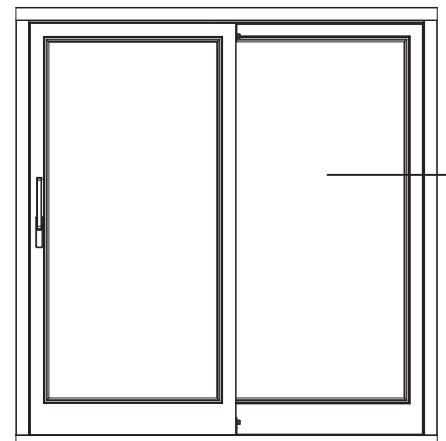
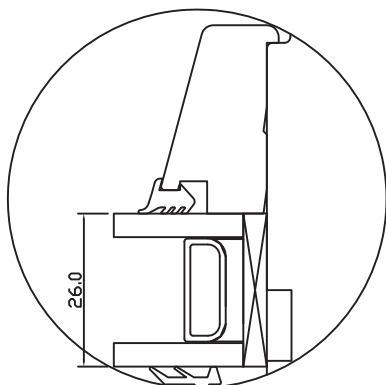
2-glazed



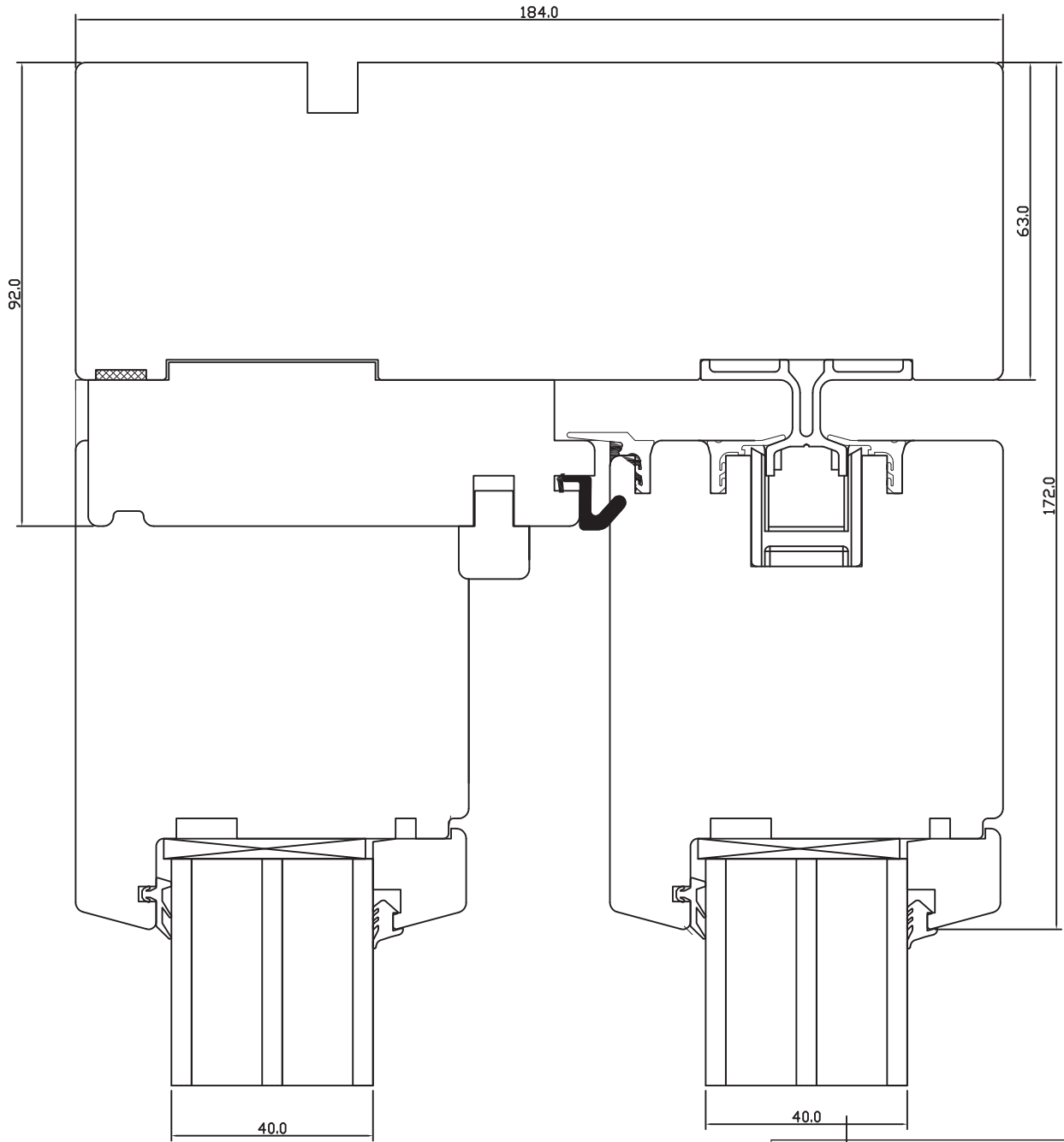
**CROSS SECTION OF FIXED SIDE**



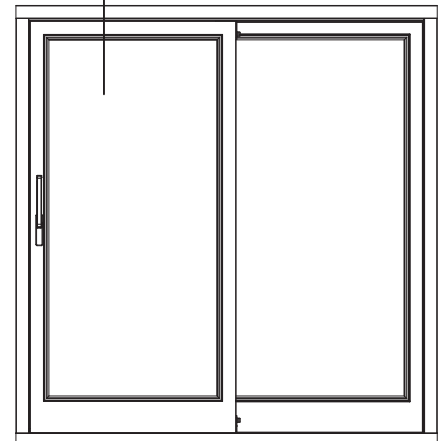
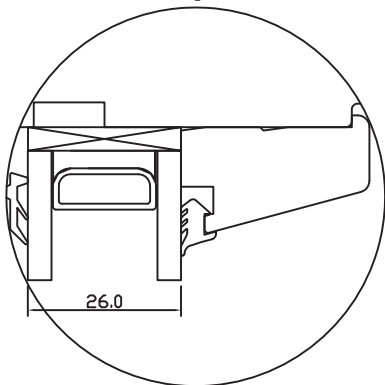
2-glazed



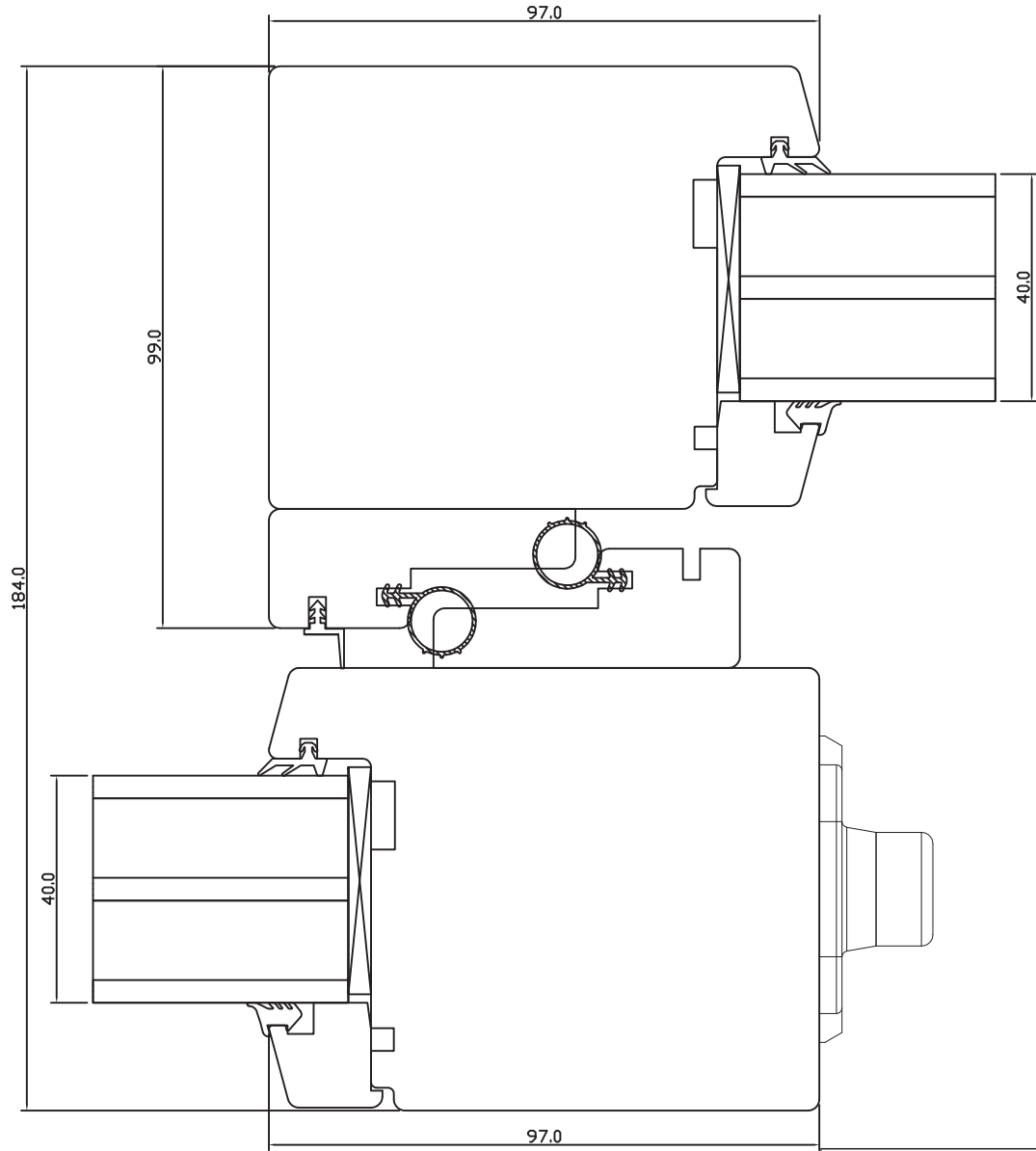
**CROSS SECTION OF HEAD**



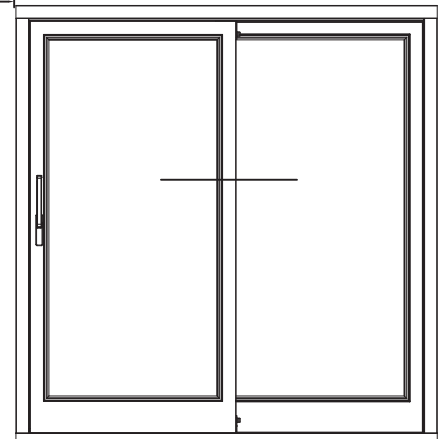
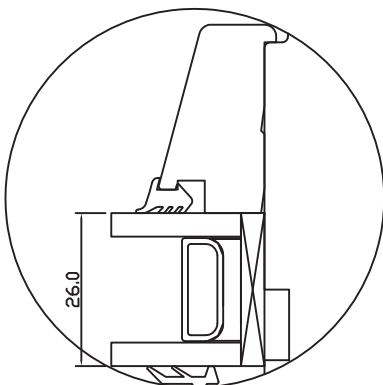
2-glazed



**CROSS SECTION OF MIDDLE JUNCTION**

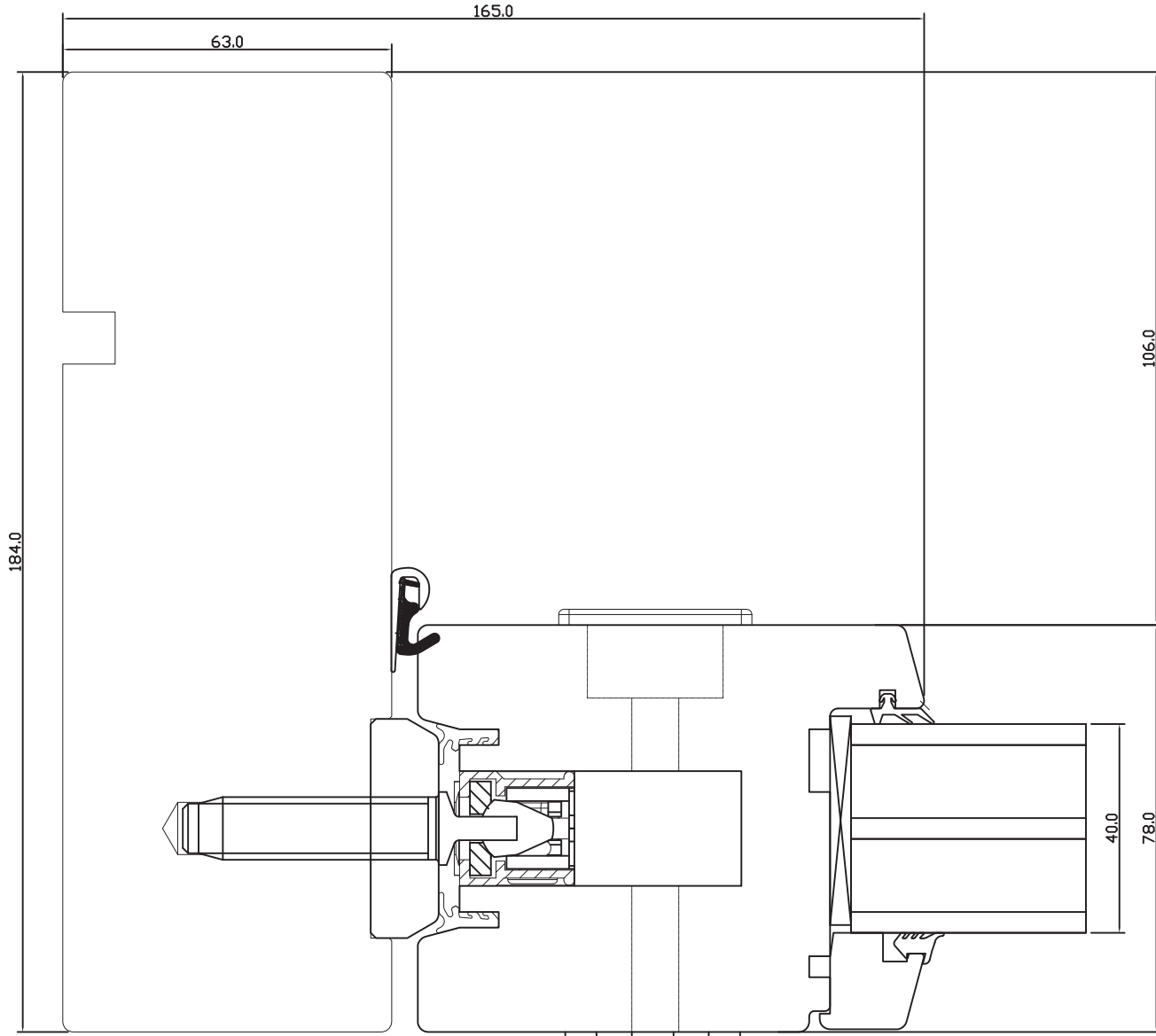


2-glazed

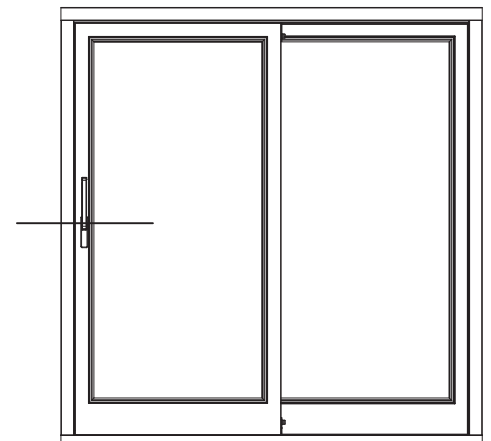
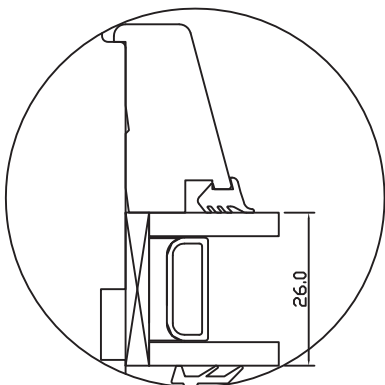


**NORRSKEN HORIZONTAL OPENING TIMBER  
DOUBLE GLAZED LIFT & SLIDE DOOR**

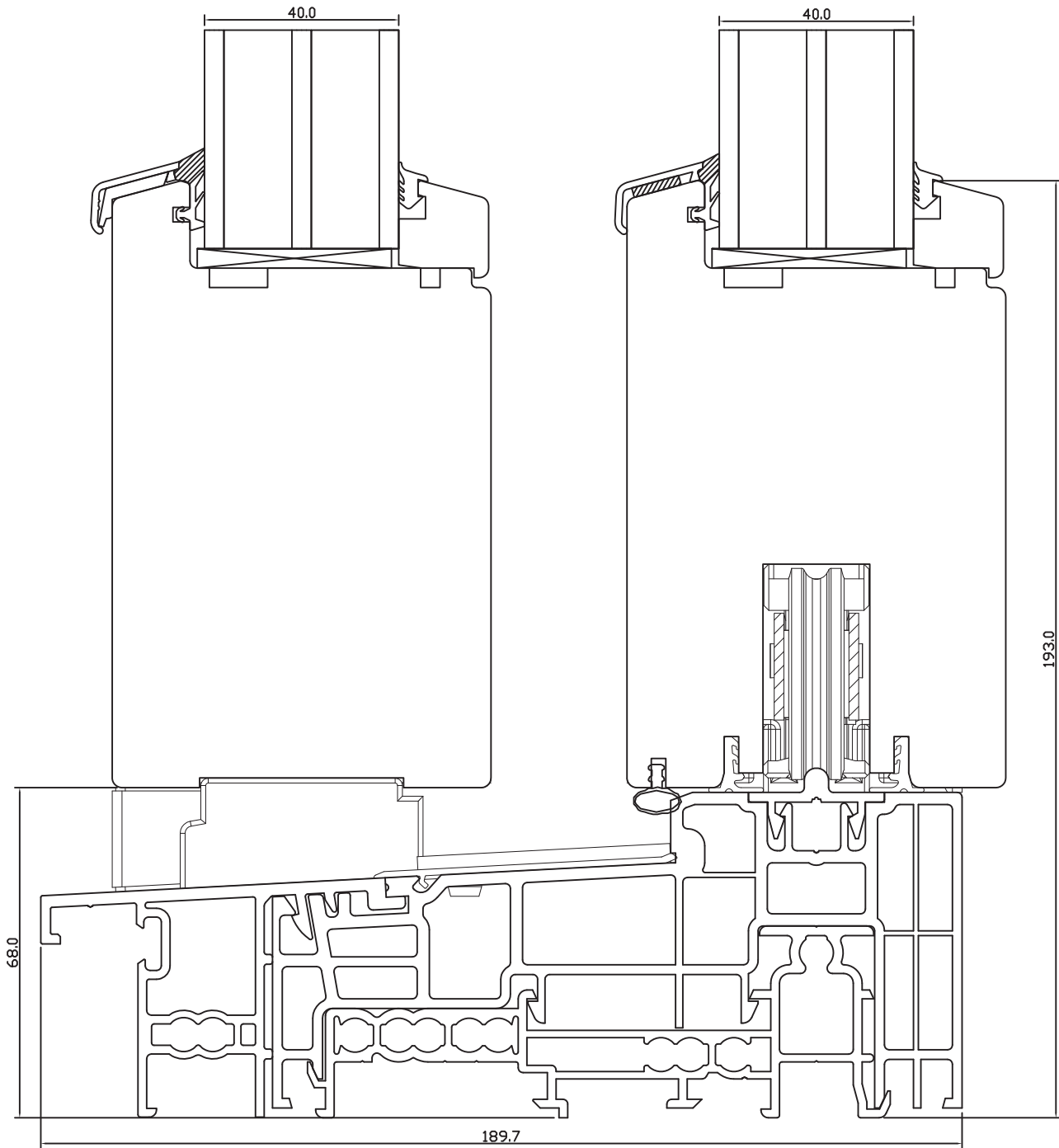
**CROSS SECTION OF SIDE WITH SASH**



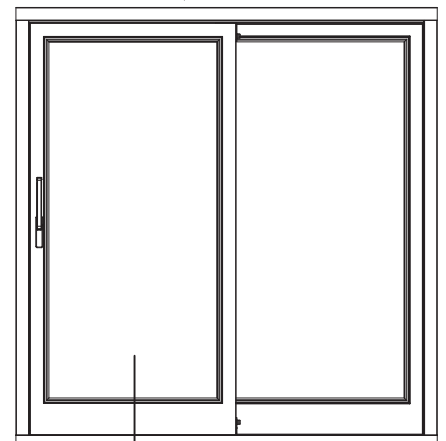
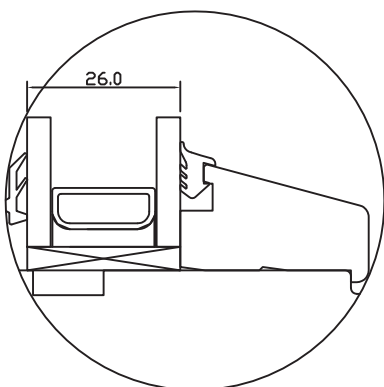
2-glazed



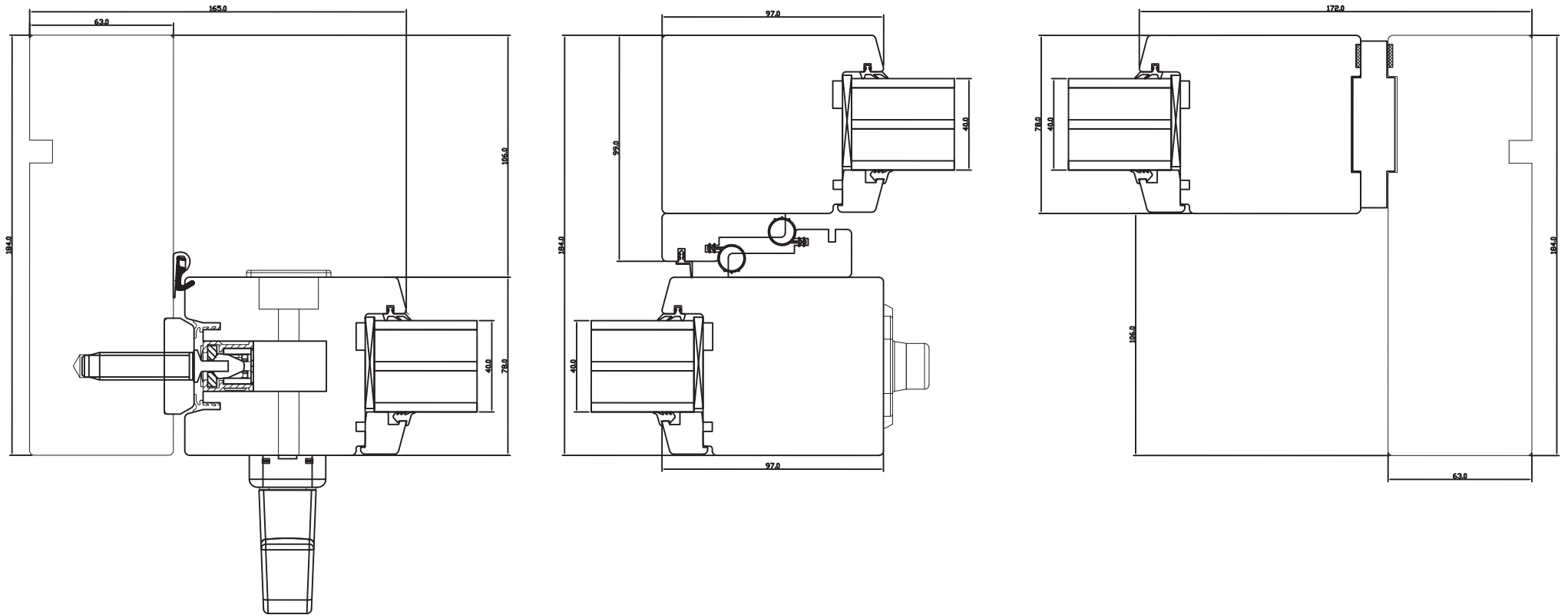
**CROSS SECTION OF THRESHOLD**



2-glazed



drawing subject to change without notice



**NORRSKEN** 

5 The Axium Centre  
Dorchester Road  
Poole  
Dorset  
BH16 6FE  
UK

NORRSKEN HORIZONTAL OPENING TIMBER  
TRIPLE GLAZED LIFT & SLIDE DOOR

CROSS SECTION

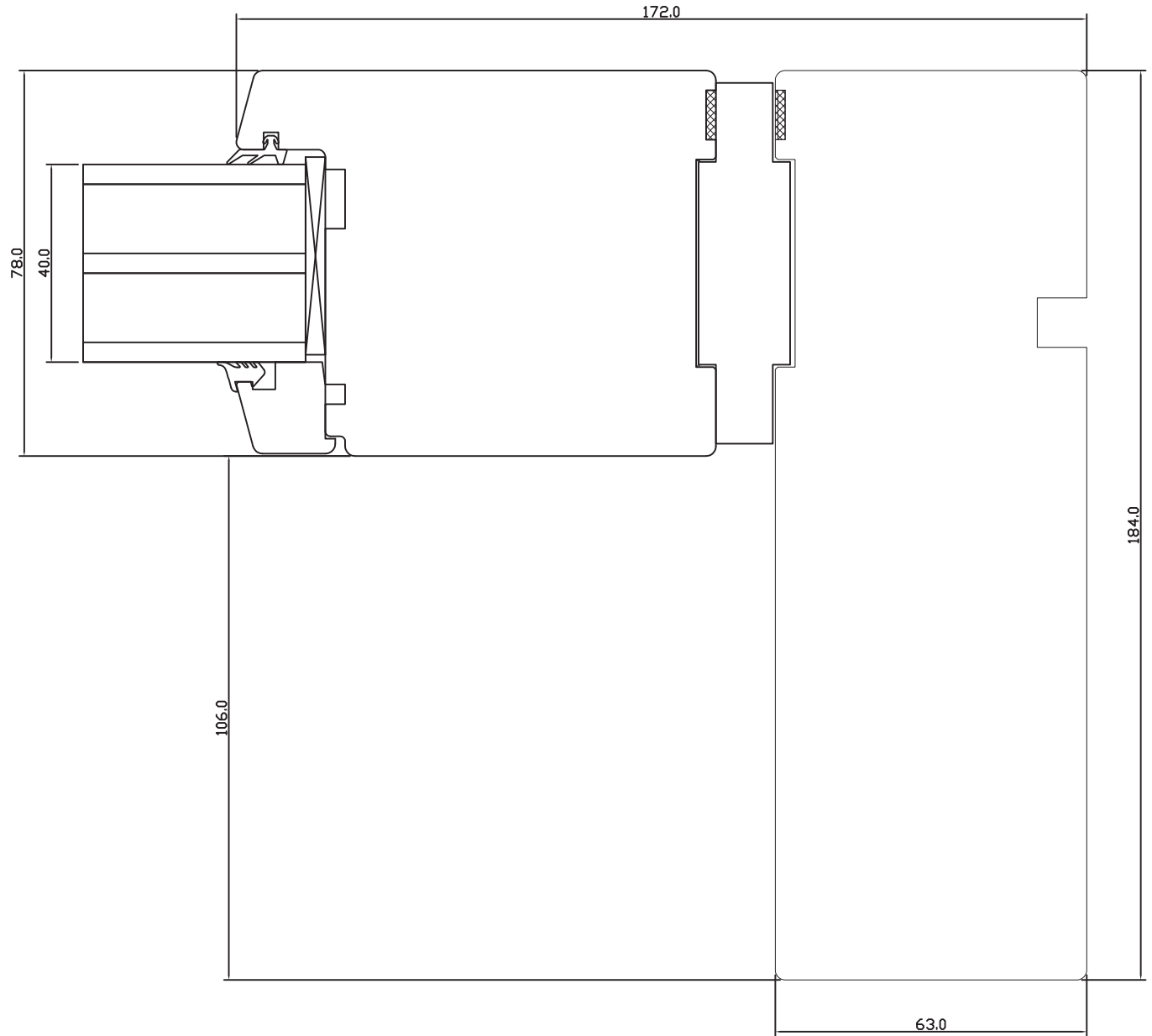
Drawing Number

HOTTGLSD.1

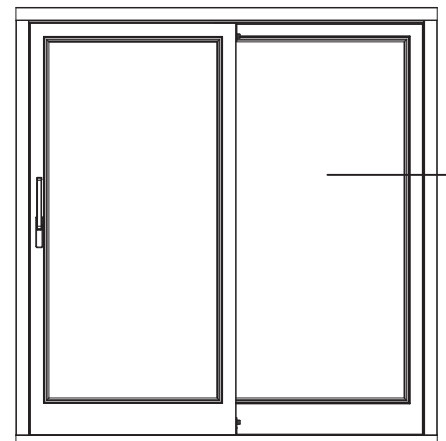
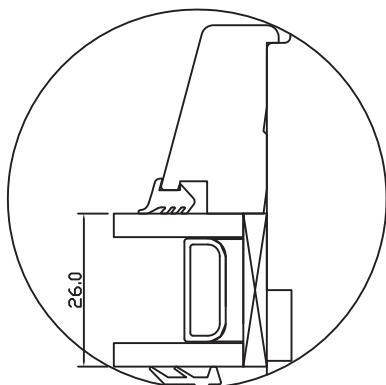
Scale

1:1

**CROSS SECTION OF FIXED SIDE**

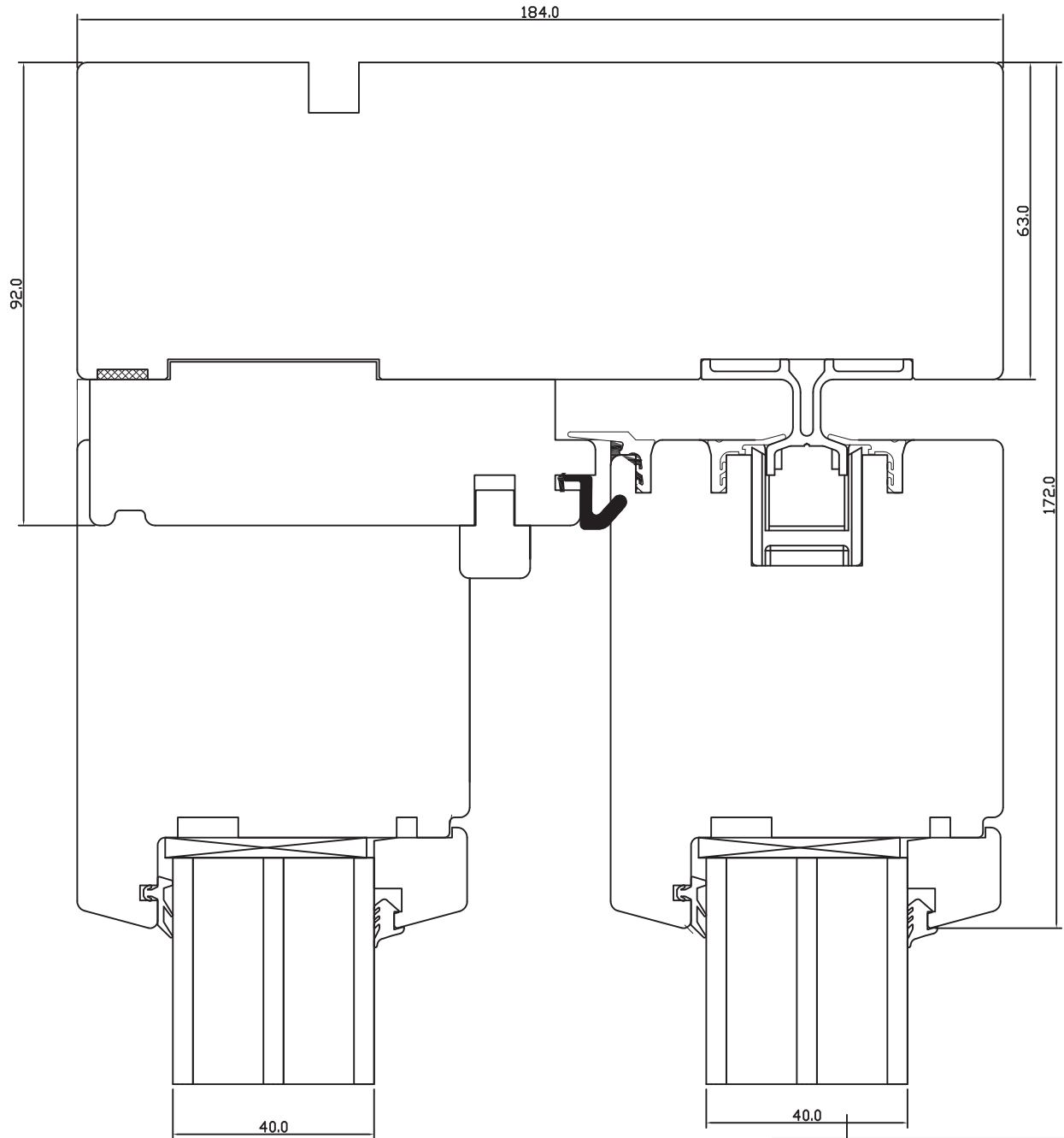


2-glazed

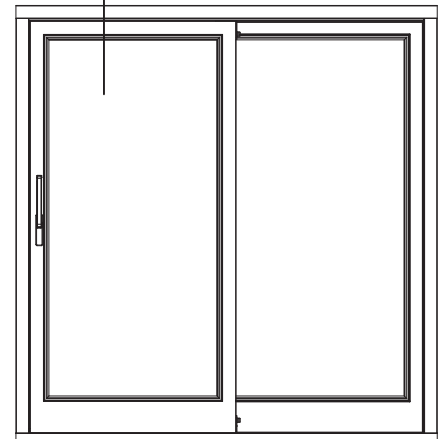
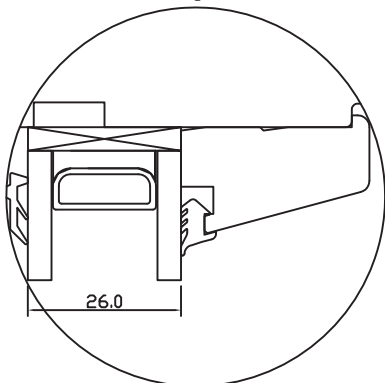




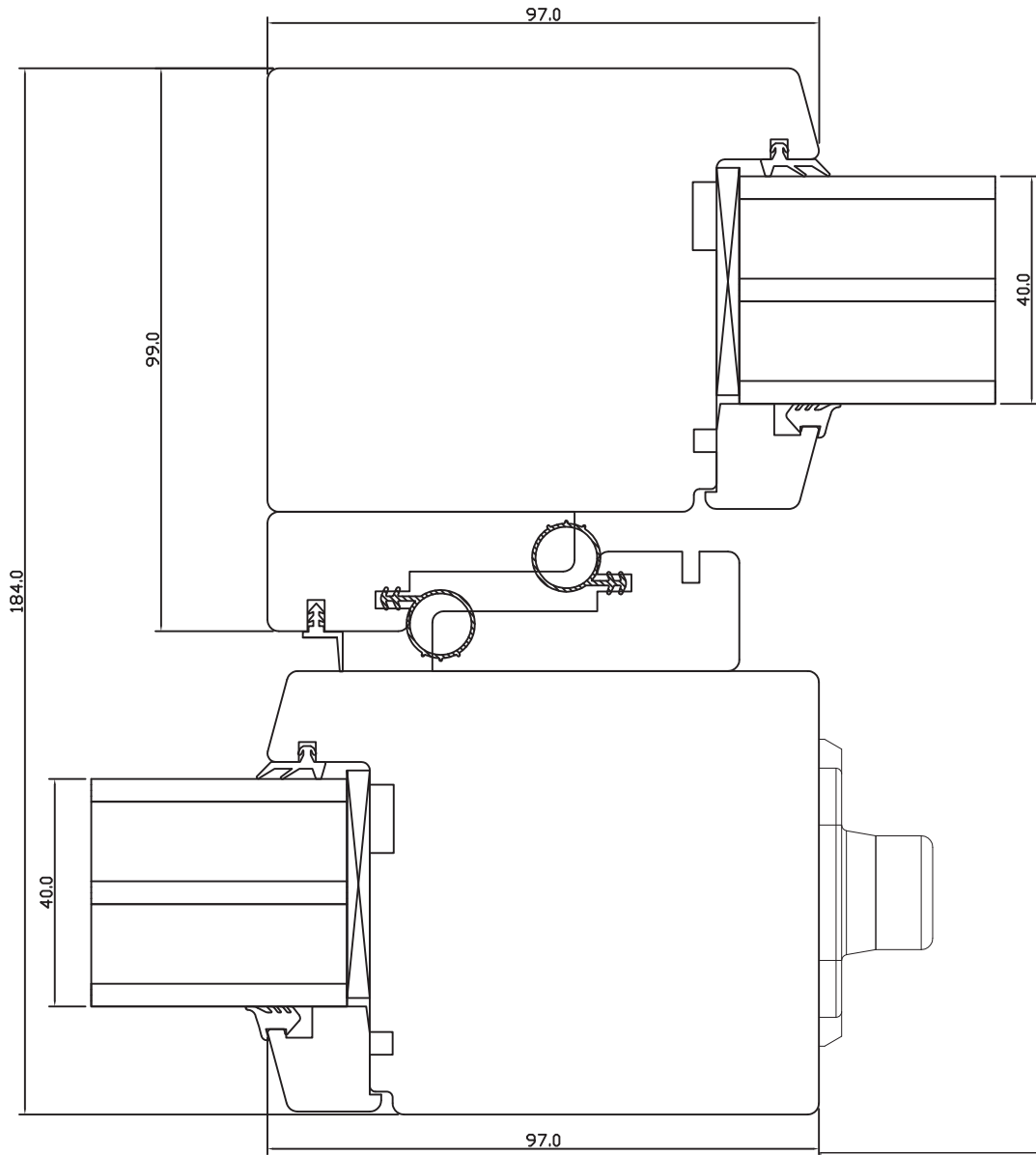
**CROSS SECTION OF HEAD**



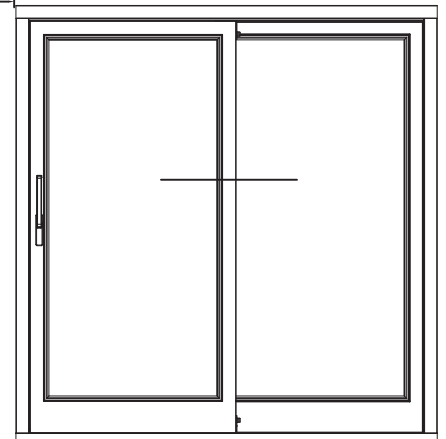
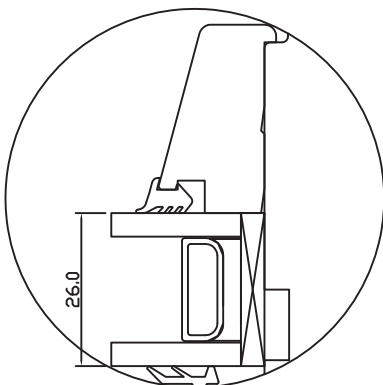
2-glazed



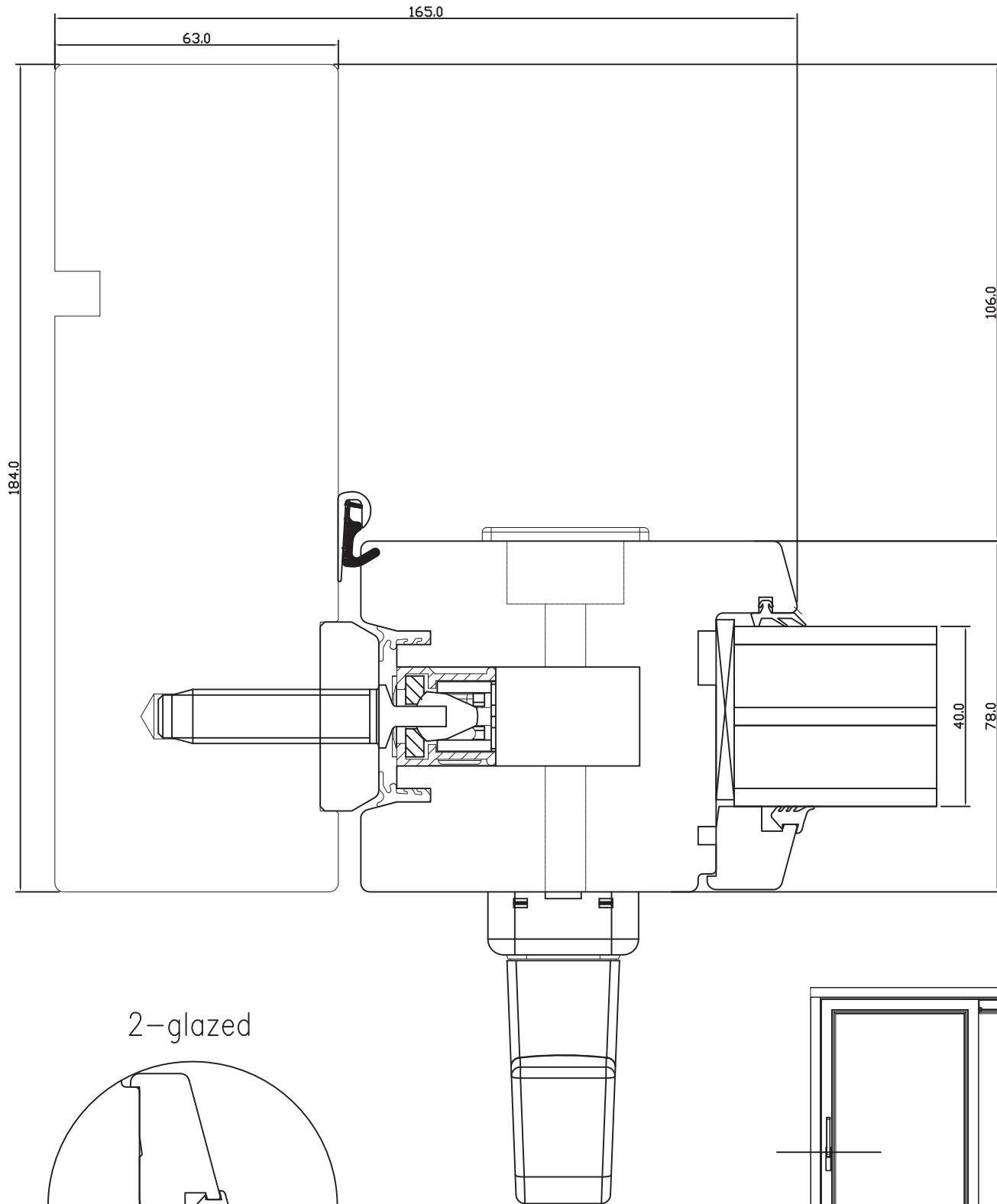
**CROSS SECTION OF MIDDLE JUNCTION**



2-glazed



**CROSS SECTION OF SIDE WITH SASH**



2-glazed

