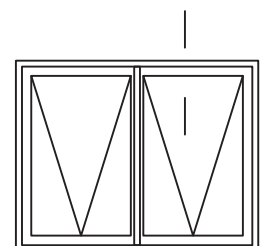
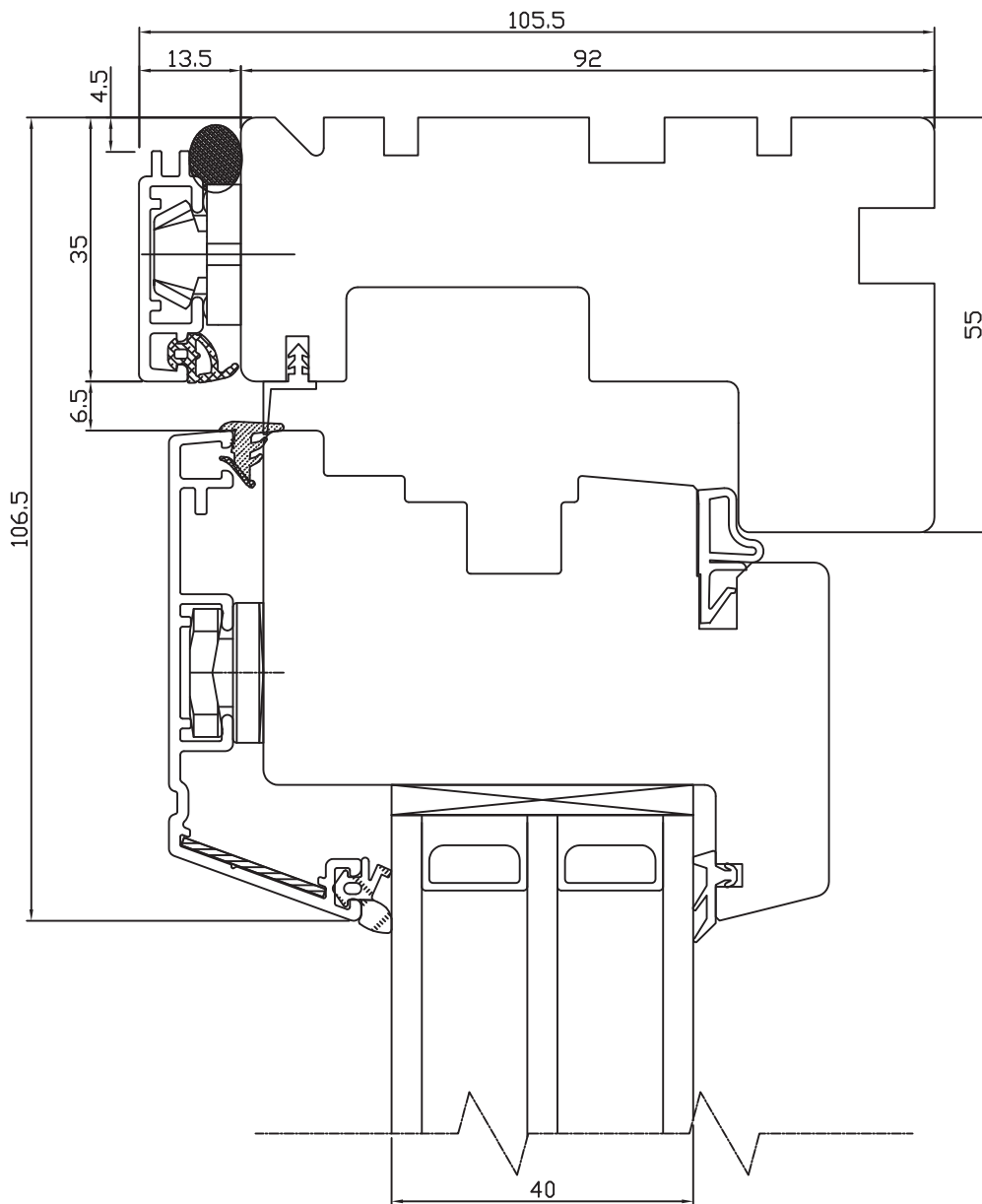
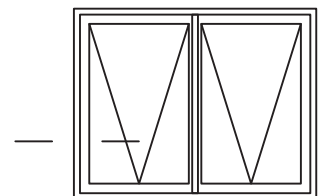
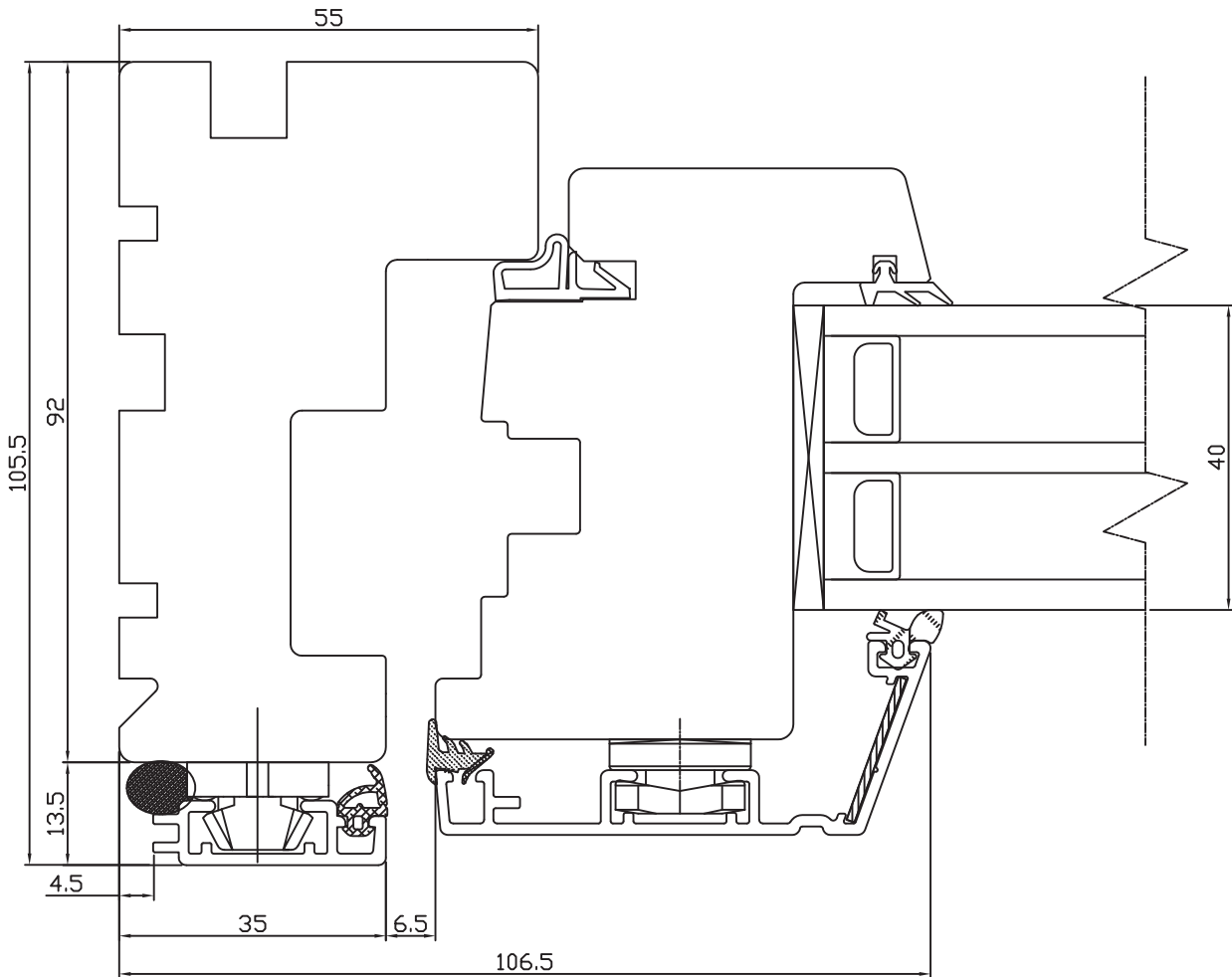


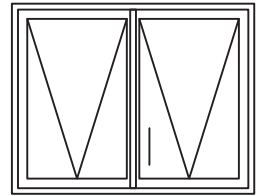
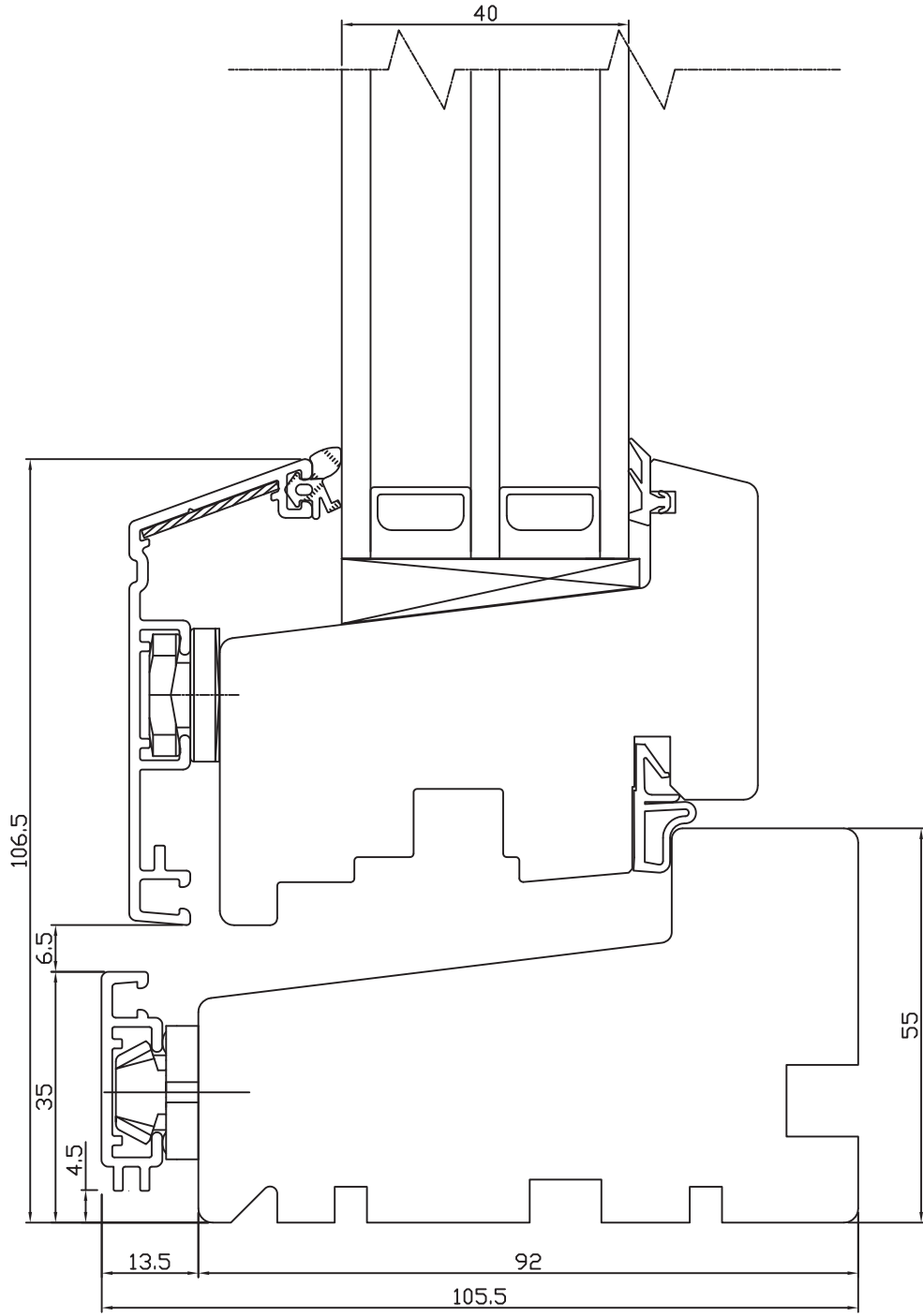
CROSS SECTION OF HEAD



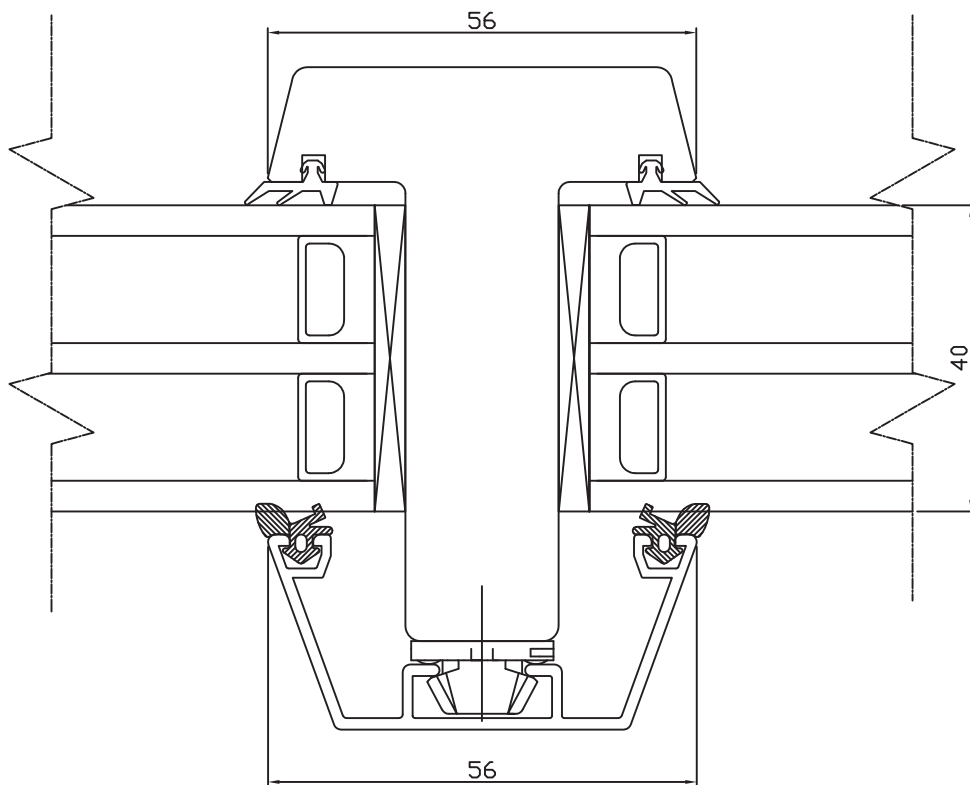
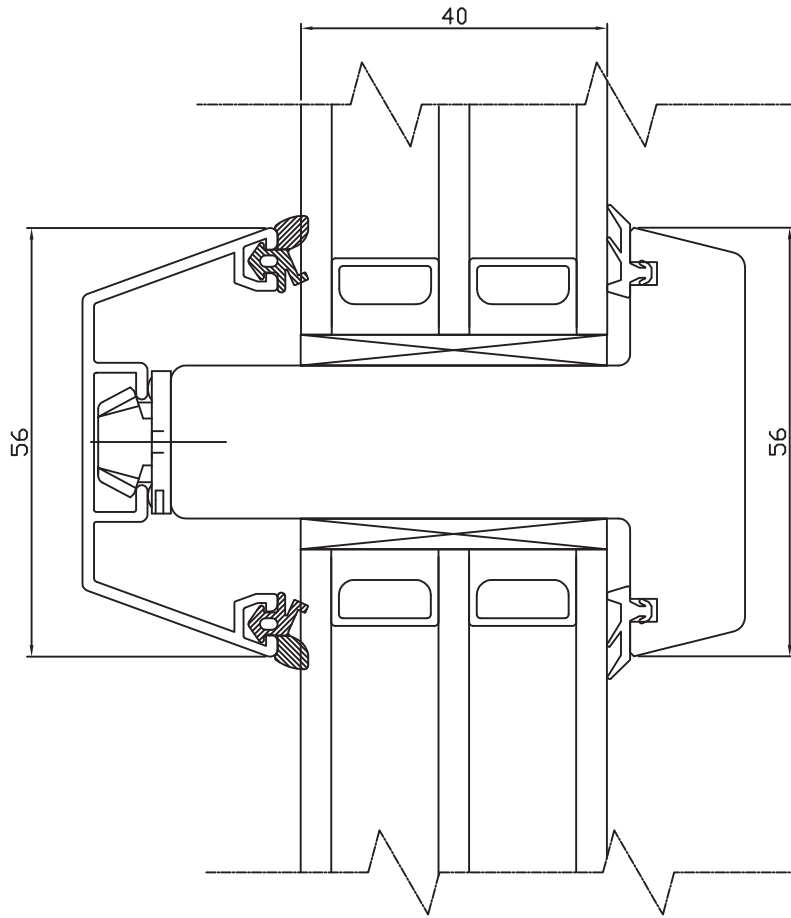
CROSS SECTION OF JAMB



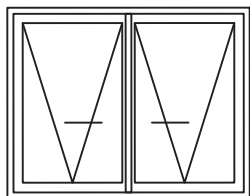
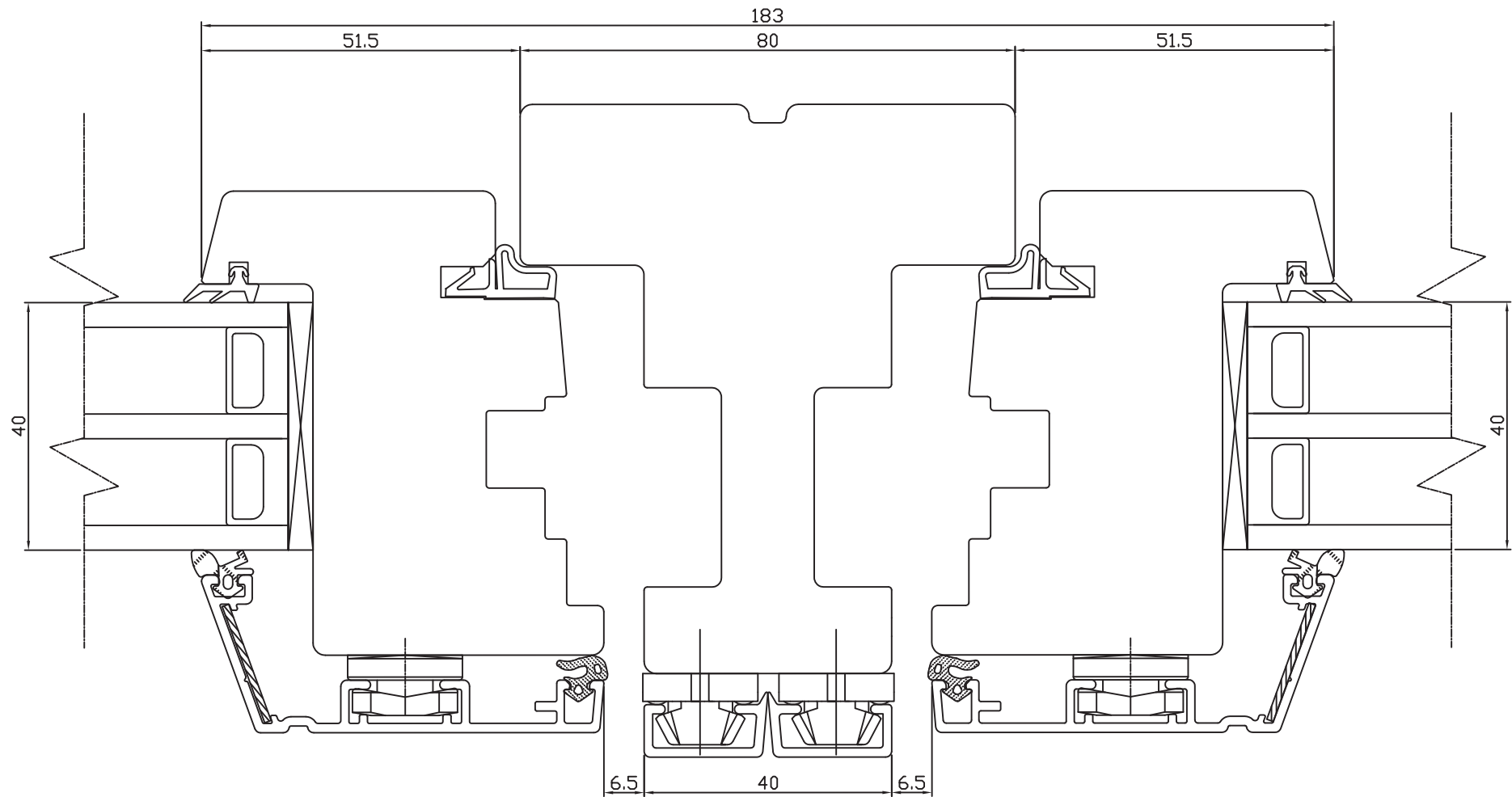
CROSS SECTION OF SILL



CROSS SECTION OF 56mm GLAZING BAR



drawing subject to change without notice



NORRSKEN 

5 The Axium Centre
Dorchester Road
Poole
Dorset
BH16 6FE
UK

**NORRSKEN OUTWARD OPENING ALU-CLAD TRIPLE
GLAZED WINDOW**

CROSS SECTION OF MULLION

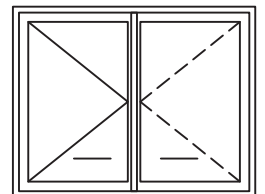
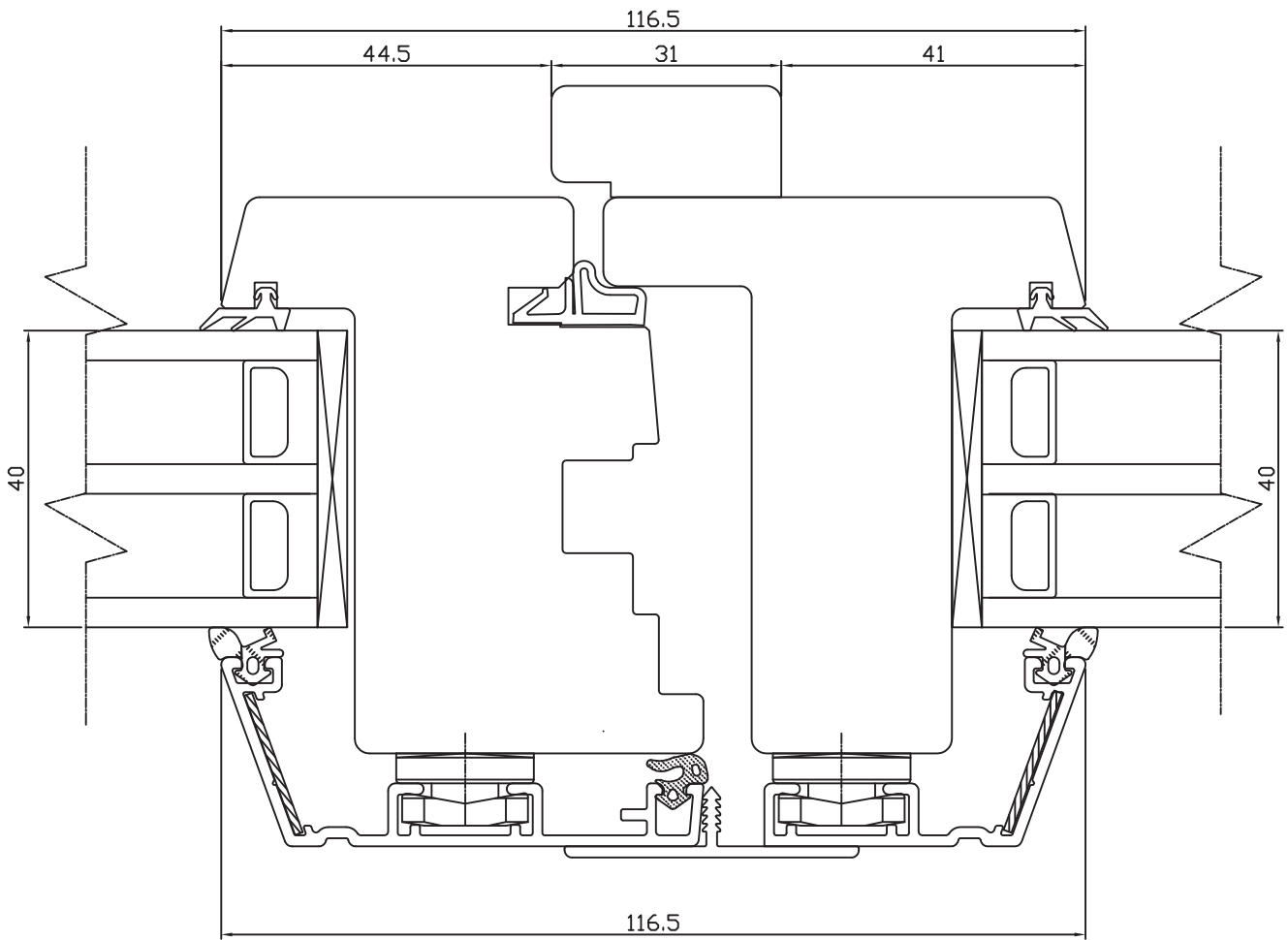
Drawing Number

OOACTG.4

Scale

1:1

CROSS SECTION OF REBATED DOUBLE CASEMENT



CROSS SECTION OF TRANSOM

