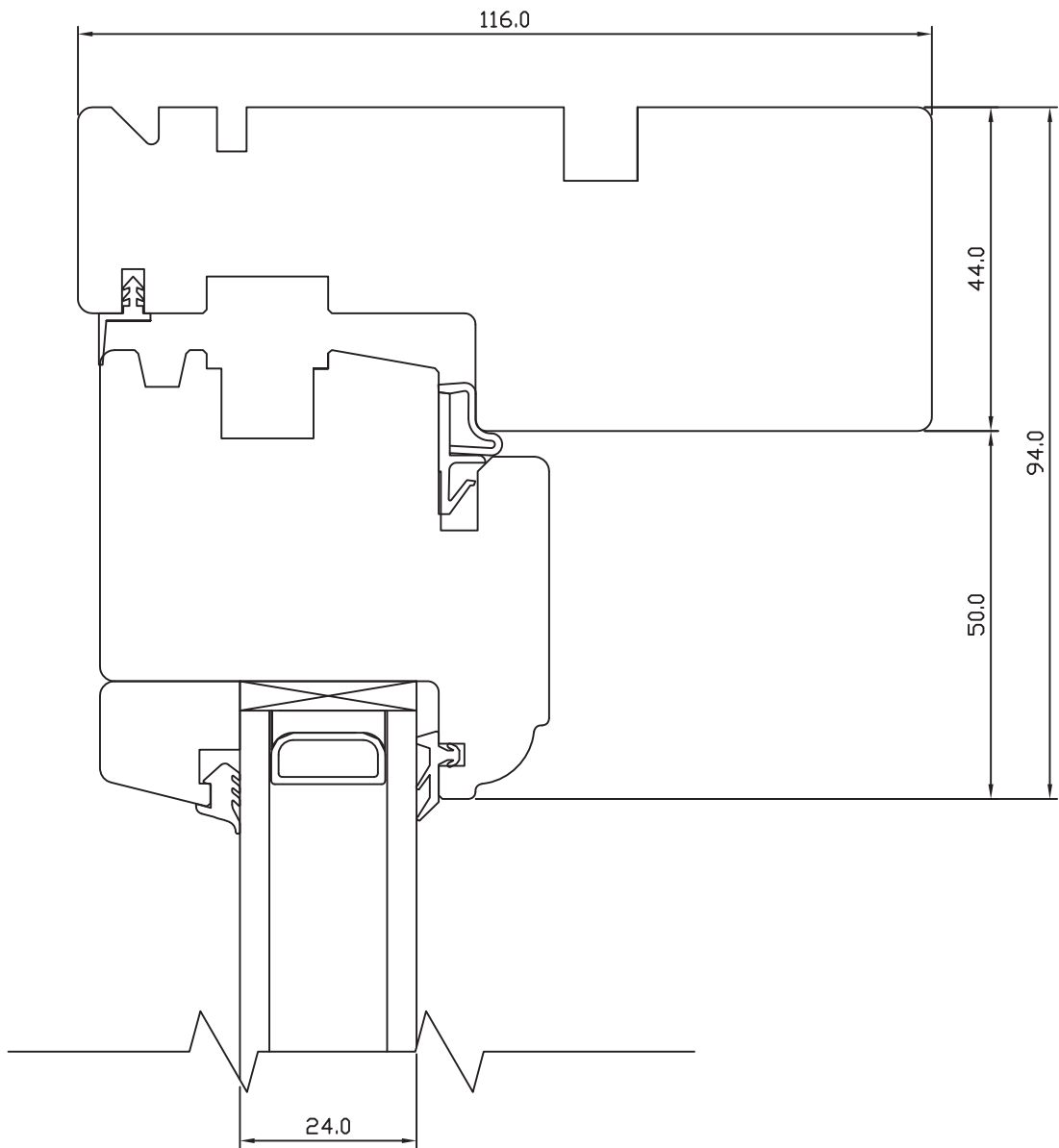
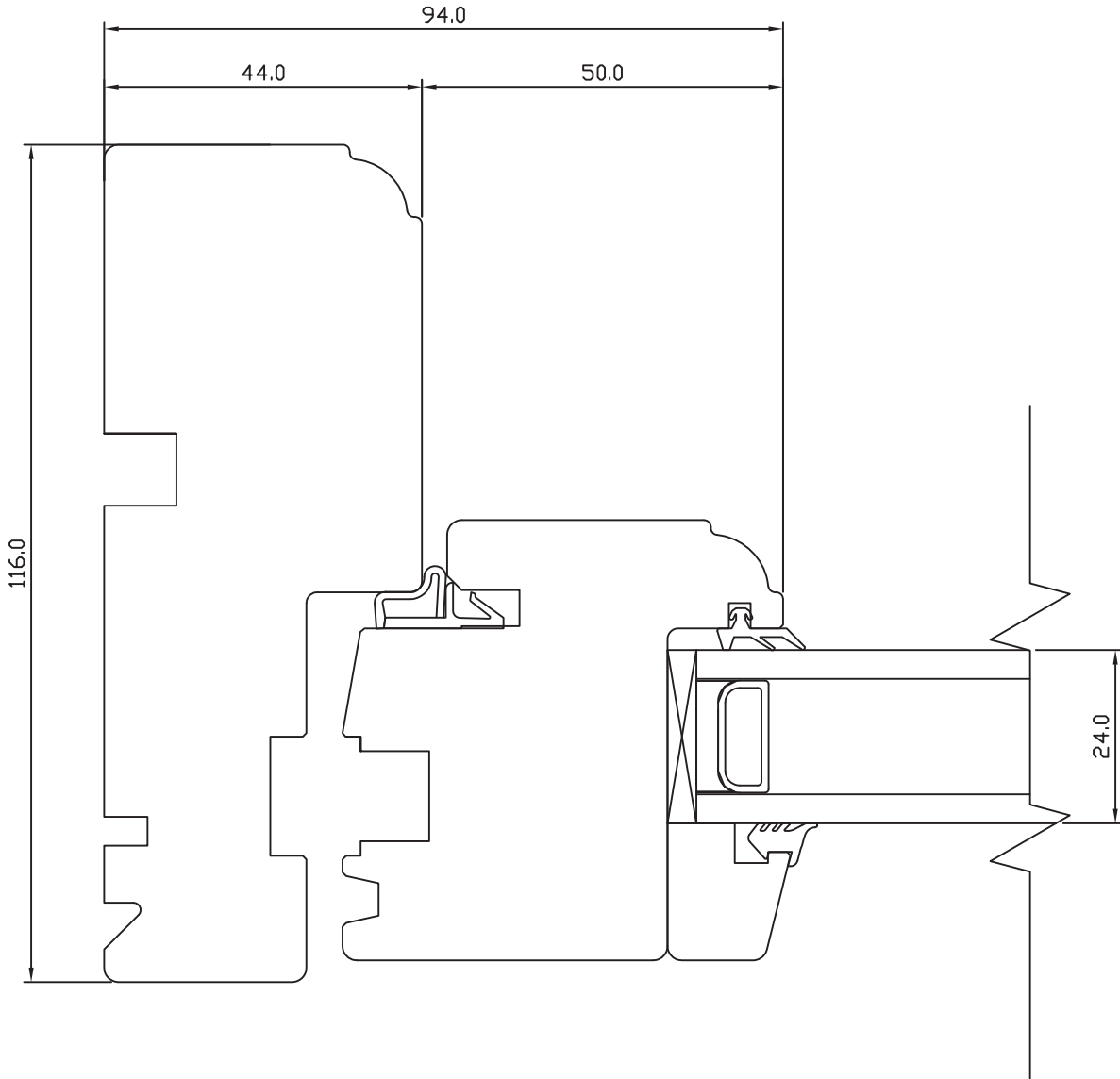


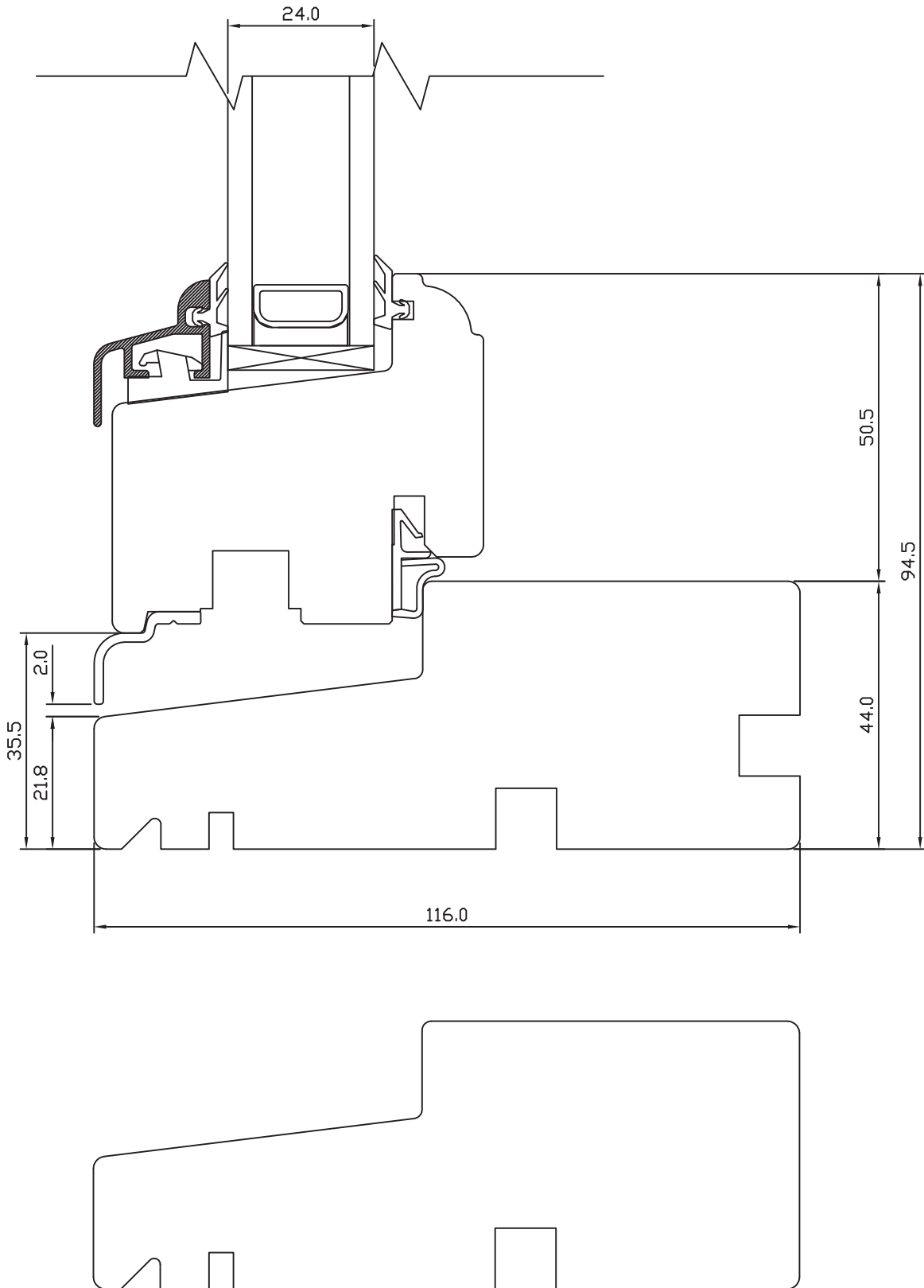
CROSS SECTION OF HEAD



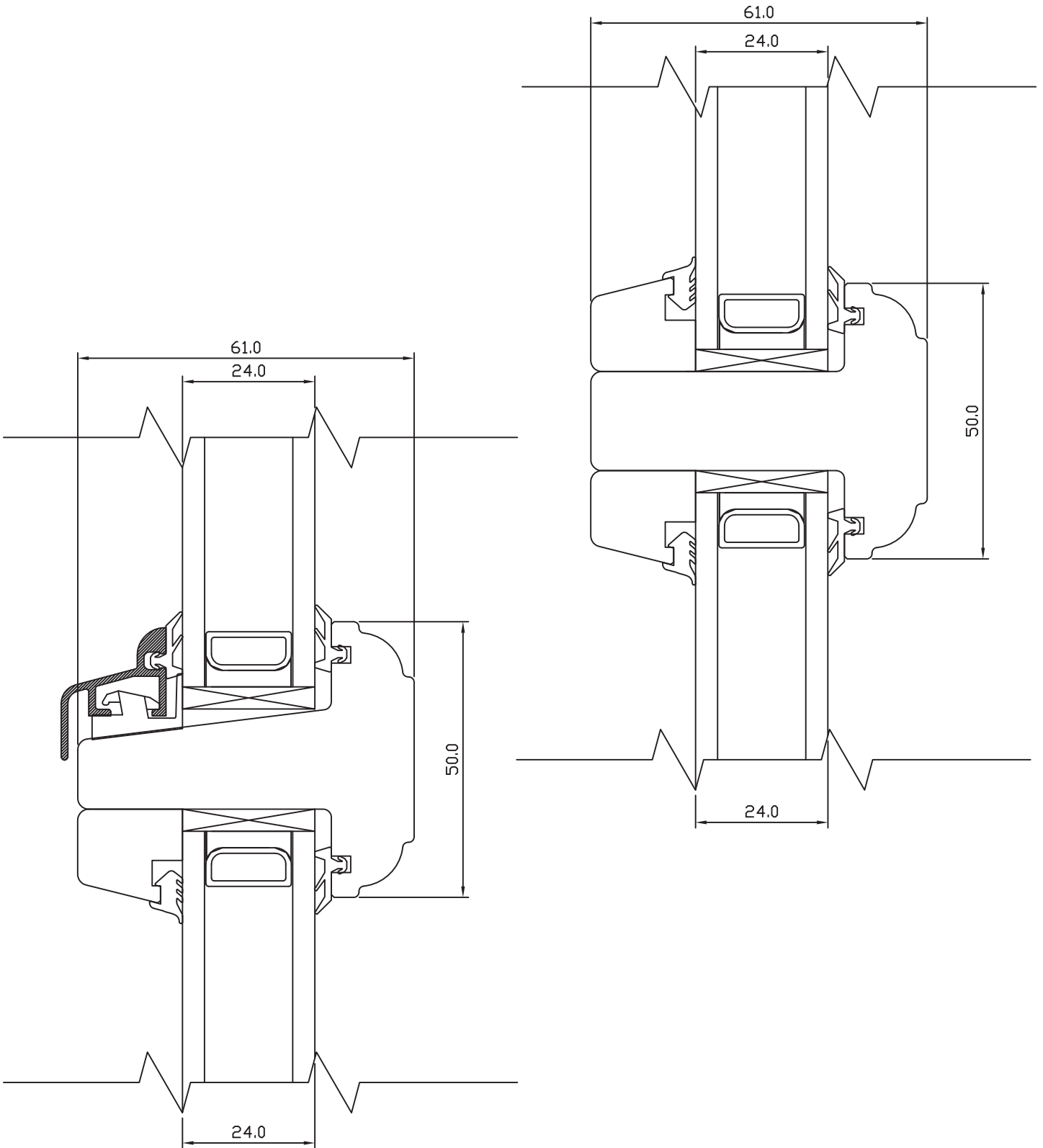
CROSS SECTION OF JAMB



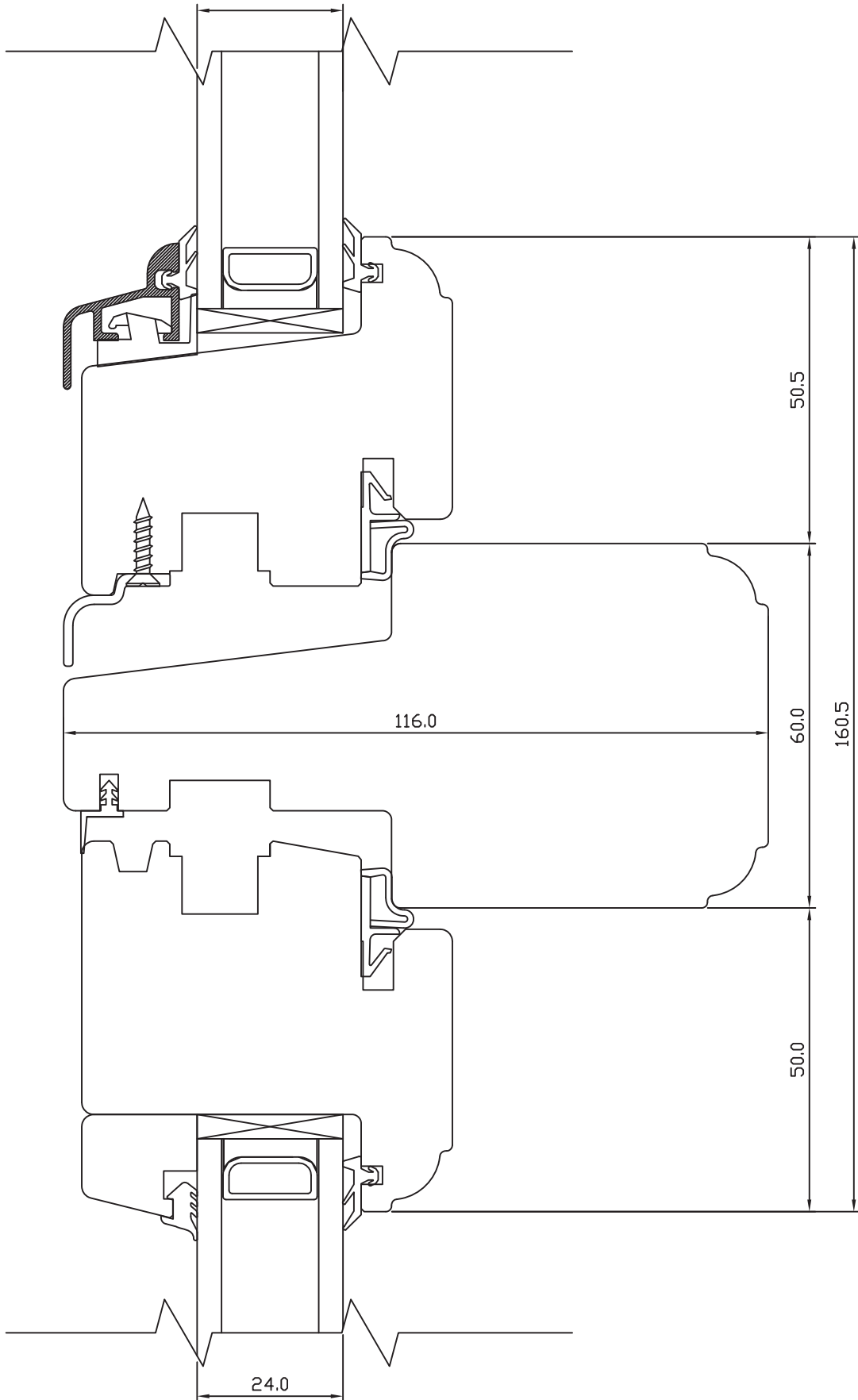
CROSS SECTION OF SILL



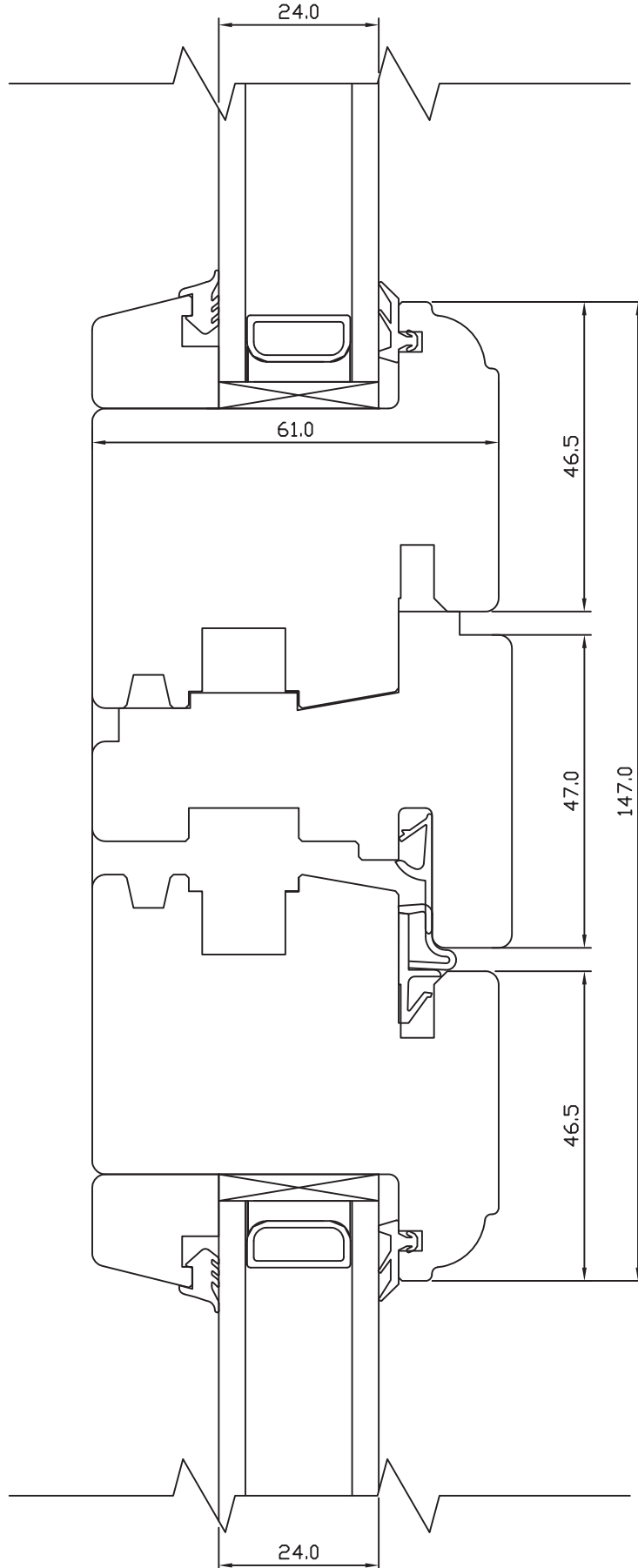
CROSS SECTION OF 50mm GLAZING BAR



CROSS SECTION OF MULLION



CROSS SECTION OF REBATED DOUBLE CASEMENT



CROSS SECTION OF TRANSOM

